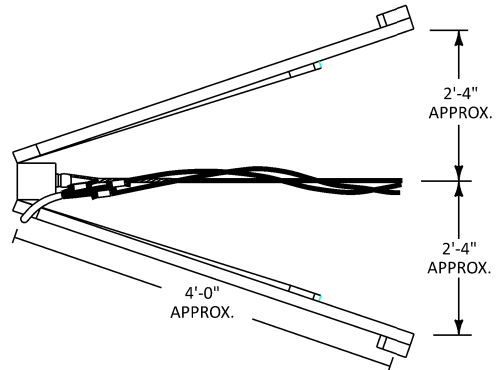


SEE GENERAL CONDITION NOTES FOR COMPANY AND CUSTOMER RESPONSIBILITIES



**GENERAL CONDITION NOTES:**

THE COMPANY WILL BE RESPONSIBLE FOR:

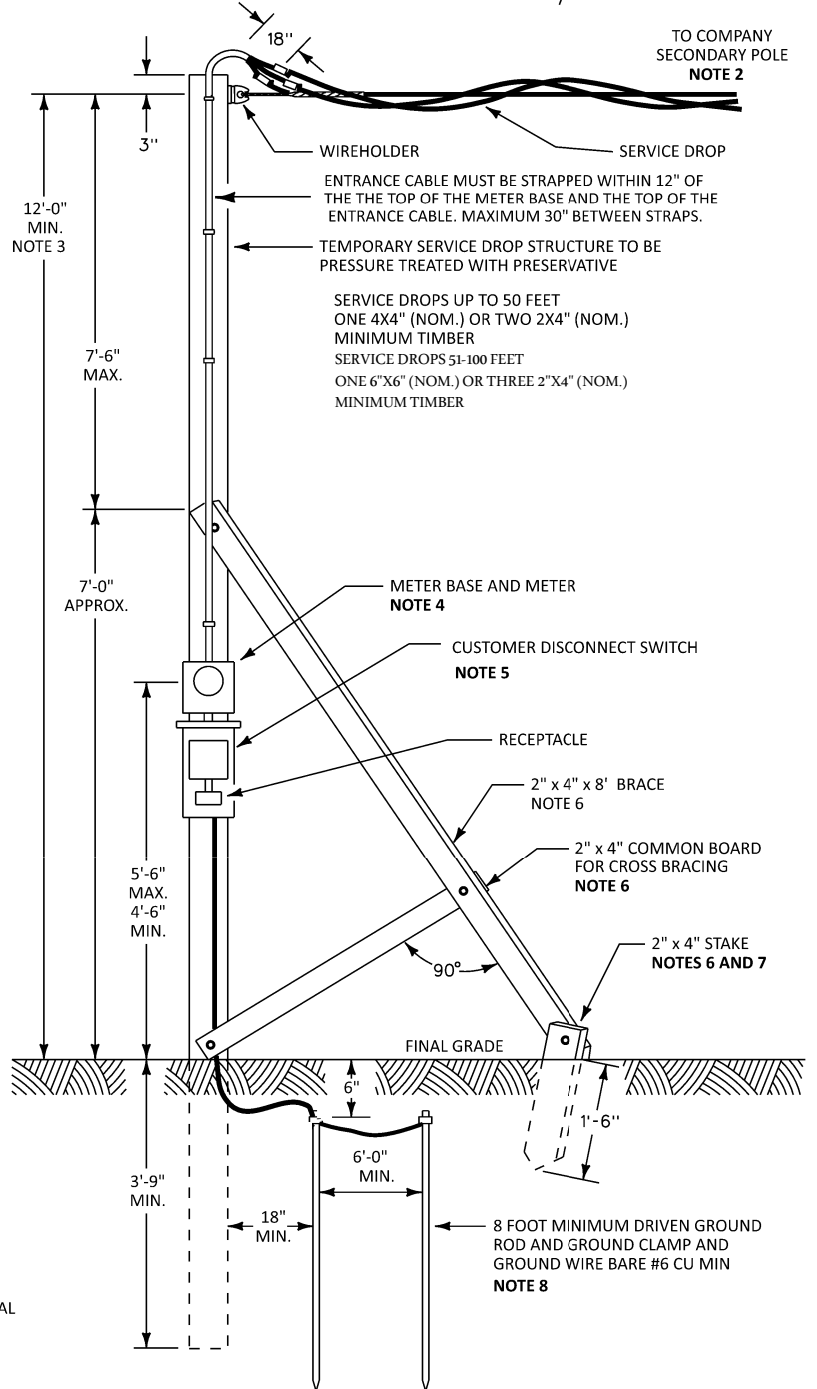
- (a) PROVIDING AND INSTALLING OVERHEAD SERVICE DROP (NO.2 OR NO.4 TRIPLEX SERVICE DROP).
- (b) PROVIDING THE METER BASE TO THE CUSTOMER WHERE REQUIRED.
- (c) INSTALLING AND REMOVING THE METER.

THE CUSTOMER WILL BE RESPONSIBLE FOR:

- (a) PROVIDING AND INSTALLING THE COMPLETED TEMPORARY STRUCTURE TO WHICH SERVICE DROP WILL BE ATTACHED. INSTALLATION MUST MEET THE COMPANY'S REQUIREMENTS TO BE CONNECTED. SERVICE ENTRANCE CONDUCTORS SHALL PROJECT FROM WEATHERHEAD A MINIMUM OF 18 INCHES.

**GENERAL CONSTRUCTION NOTES:**

1. TEMPORARY SERVICE DROP STRUCTURE SHALL BE TRUCK ACCESSIBLE.
2. TEMPORARY SERVICE DROPS NOT TO EXCEED 100 FEET.
3. THE SERVICE ATTACHMENT SHALL BE INSTALLED AT A HEIGHT THAT MAINTAINS PROPER CLEARANCES FOR SERVICE DROP CONDUCTORS,
4. CENTER OF METER BASE SHALL BE NO LESS THAN 4' AND NO MORE THAN 6' ABOVE FINISHED GRADE. A SOLID 2" X 12" COMMERCIALY TREATED SOLID BOARD MAY BE NECESSARY TO MOUNT EQUIPMENT TO POLE. LAG SCREWS SHALL BE USED TO MOUNT EQUIPMENT. (NO NAILS)
5. CUSTOMER DISCONNECT SHALL BE WEATHERPROOF. ALL BRANCH CIRCUITS MUST BE GFCI PROTECTED. MOUNTING BOARD, IF REQUIRED, SHALL BE A MIN 2" X 12" COMMERCIALY TREATED SOLID WOOD BOARD (NO PLYWOOD)
6. USE 1/4" x 4" HOT DIPPED GALVANIZED LAG SCREWS OR MACHINE BOLTS TO SECURE SUPPORT STRUCTURE. IN CORROSIVE AREAS SUBSTITUTE WITH STAINLESS STEEL HARDWARE.
7. A 2"X4" STAKE IS RECOMMENDED BUT DEPENDENT ON SOIL CONDITIONS OTHER MATERIAL SUCH AS CONCRETE FORM STAKES MAY BE USED TO SECURE THE SUPPORT STRUCTURE.
8. CUSTOMER GROUNDING SHALL BE IN ACCORDANCE WITH NATIONAL ELECTRICAL CODE.



**TEMPORARY SERVICE INSTALLATION FROM EXISTING OVERHEAD SECONDARY**

December 2024

These guidelines are for informational purposes only. APCo does not warrant that the information is in every respect accurate and makes no warranties regarding results from the usage of these guidelines. APCo shall have neither liability or responsibility to any person or entity with respect to any damage caused, or alleged to be caused, directly or indirectly by the information contained herein.